



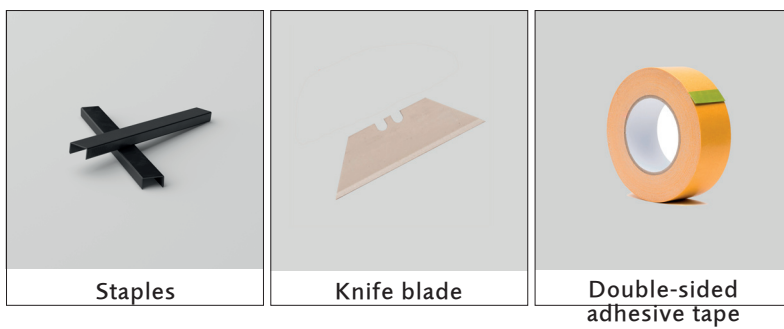
CONTENTS

Tools & Accessories	3
Installation method with ThinRibbon tape and staples.	5
Installation method with ThinRibbon staples	8
Installation method with ThinRibbon assembly glue.	8
Installing outer corners	9

TOOLS NEEDED:



OTHER ACCESSORIES

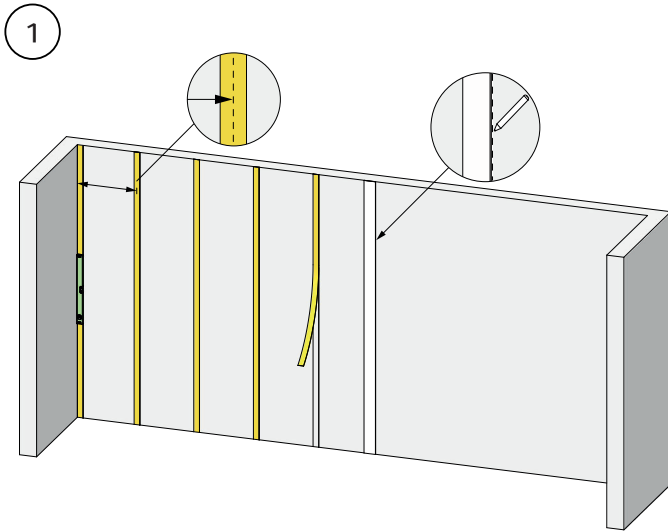


Accessories for installing our wall panels.

Finishing strip

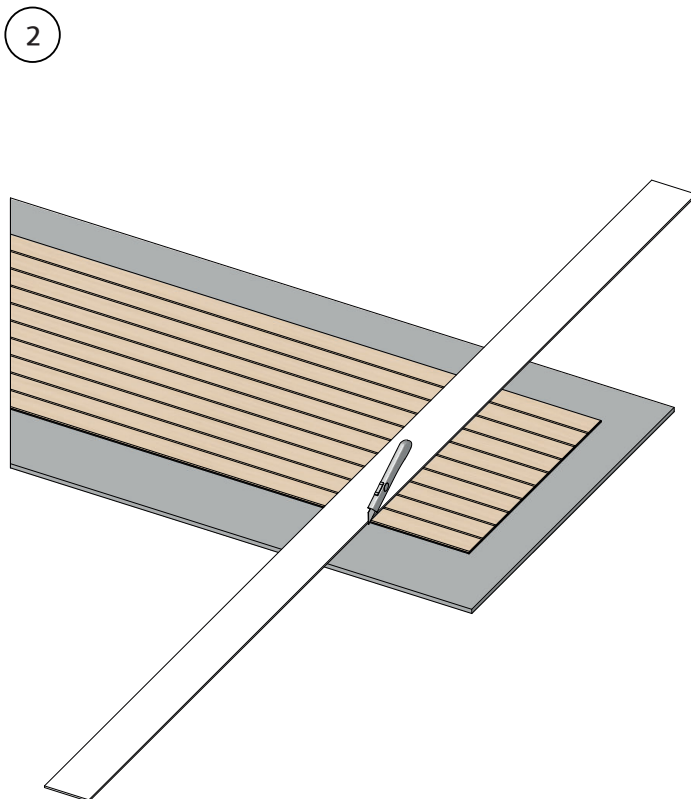


There are different ways of assembling ThinRibbon. The best way is to use tape and staples. Another way is to use only staples, but this requires more staples and in this case we recommend that two people assemble the panel. The third way is to glue the panels, which is usually done in case of concrete walls or similar. All these installation methods involve checking that the wall is plumb and straight, and measuring the height of the wall.



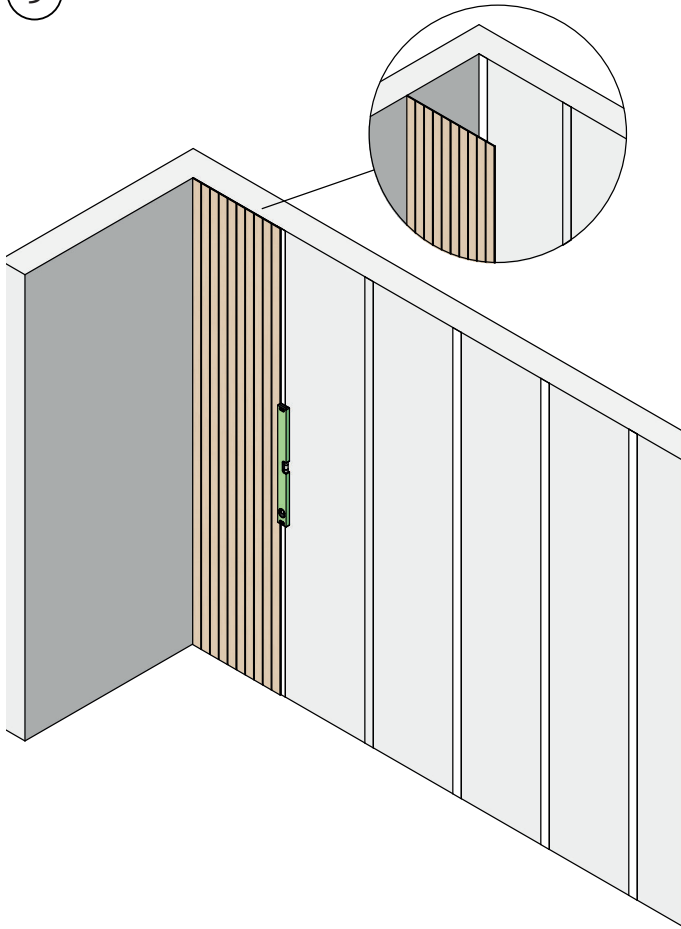
Installation method with ThinRibbon tape and staples.

1. Measure the width of the panel, draw lines on the wall to indicate the width of the panel, use the ThinRibbon ruler to draw straight lines. Repeat this depending on how many panels you have. Stick ThinRibbon tape over the lines you have drawn.



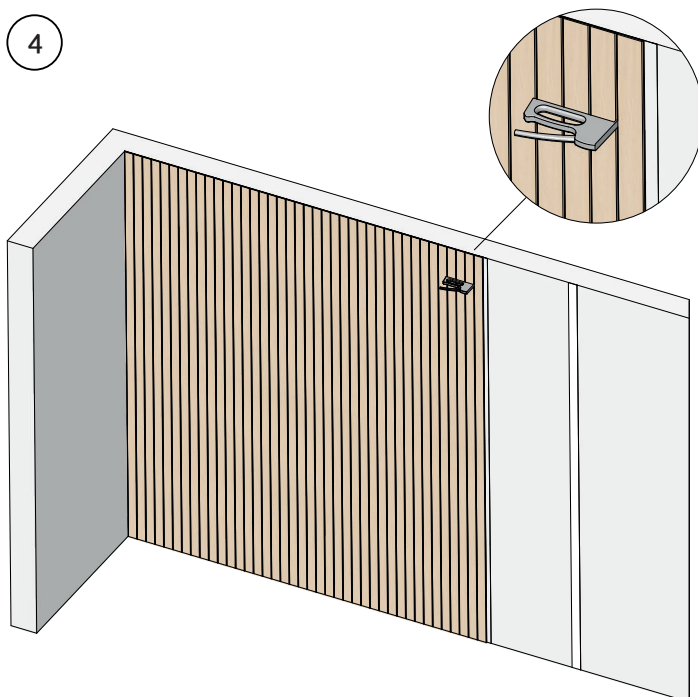
2. If the panels need to be cut to height, use the ThinRibbon knife with our ruler. To cut through the entire thickness of the panel, cut repeatedly in the same groove. Change the blade often.

3



3. Press the first panel in place and use your hands to press over the ThinRibbon tape. Make sure the first panel is straight.

4



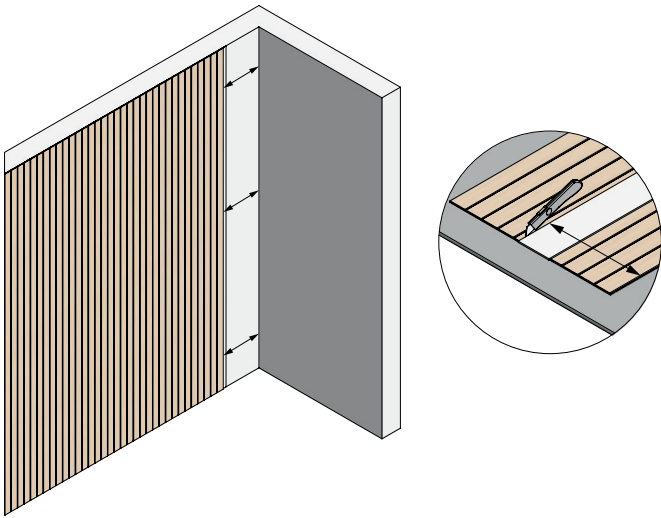
4. Using the ThinRibbon stapler, staple a few times into the black grooves to keep the panel in place during assembly. To install the next panel easily, check carefully that the panels reach the halfway point of the tape. Repeat this pattern.

Staple use:

2400mm = 15 pcs/panel, three in the middle, three at the bottom and three at the top.

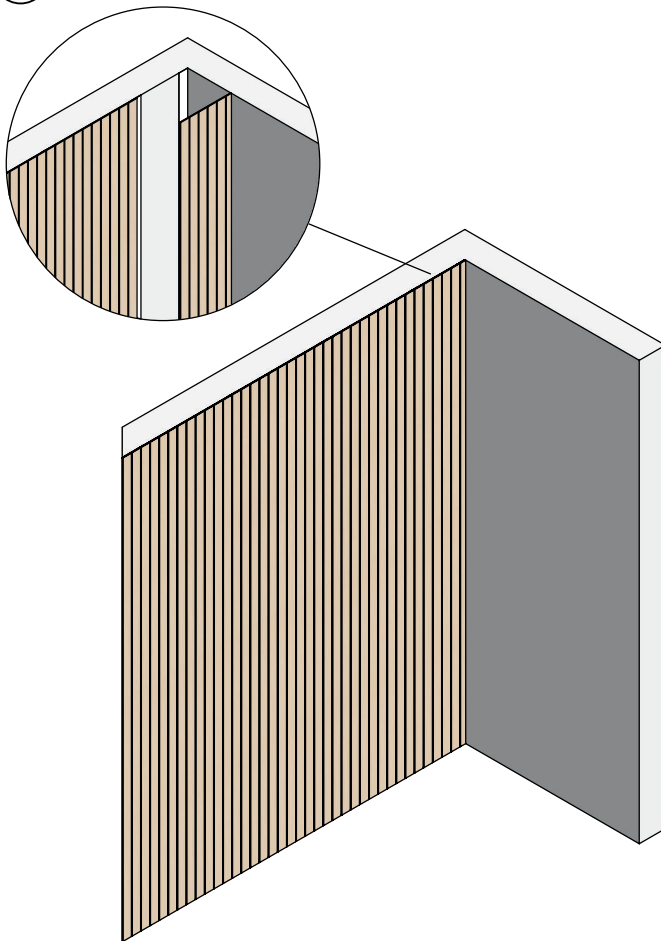
2800mm = 18 pcs/panel, three at the bottom, three at the top and six evenly distributed in the centre with three per row.

5

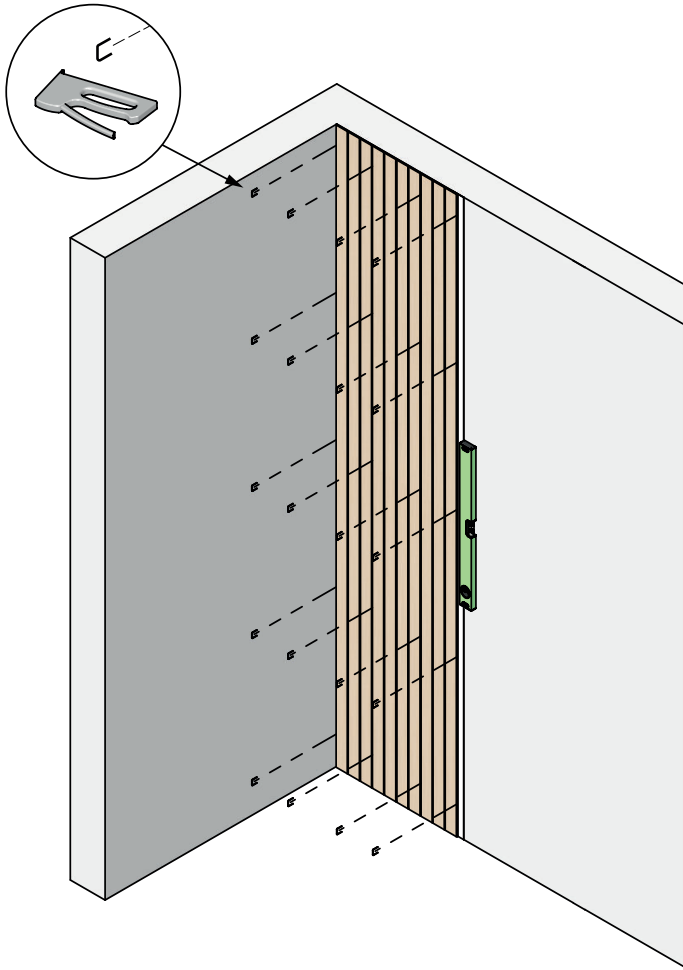


5. Before the last piece, measure the width between the panel and the wall in at least three different places to make sure the panel fits. Use the ThinRibbon ruler to draw a straight line and as a support when cutting the panel with our knife. Cut repeatedly times to achieve a neat cut.

6



6. Press the last piece onto our ThinRibbon tape.



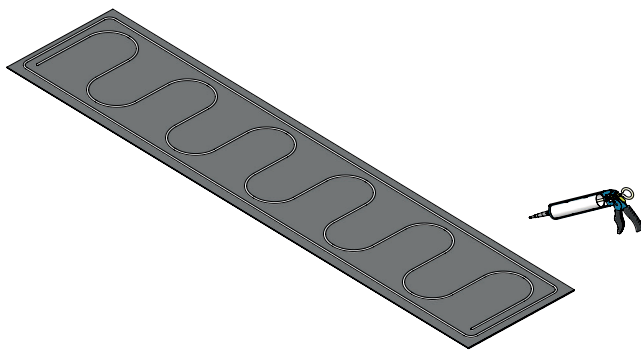
Installation method with ThinRibbon staples

When installing with staples, it is recommended that two people install the panel, one to hold it straight and the other to staple it to the wall. When stapling in the joints between the panels along the long side hold the gun at a slight angle so the staple goes into the panel at an angle. Repeat all steps described in the Installation method with ThinRibbons tape and staples section.

Minimum staple quantity:

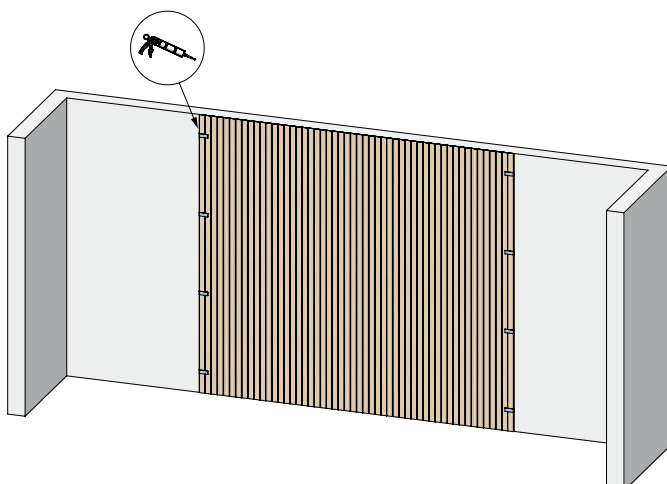
2400mm = 20pcs/panel

2800mm = 24pcs/panel



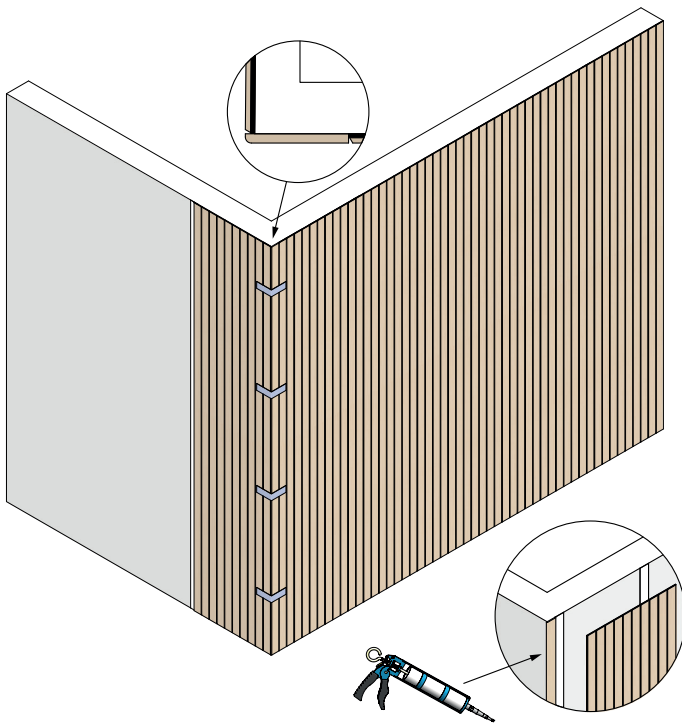
Installation method with ThinRibbon assembly glue.

If you have concrete walls or similar, we recommend gluing the panels with ThinRibbon assembly glue. One tube of assembly glue is enough for about 2.5 panels. Repeat all steps described in the Installation method with ThinRibbons tape and staples section.



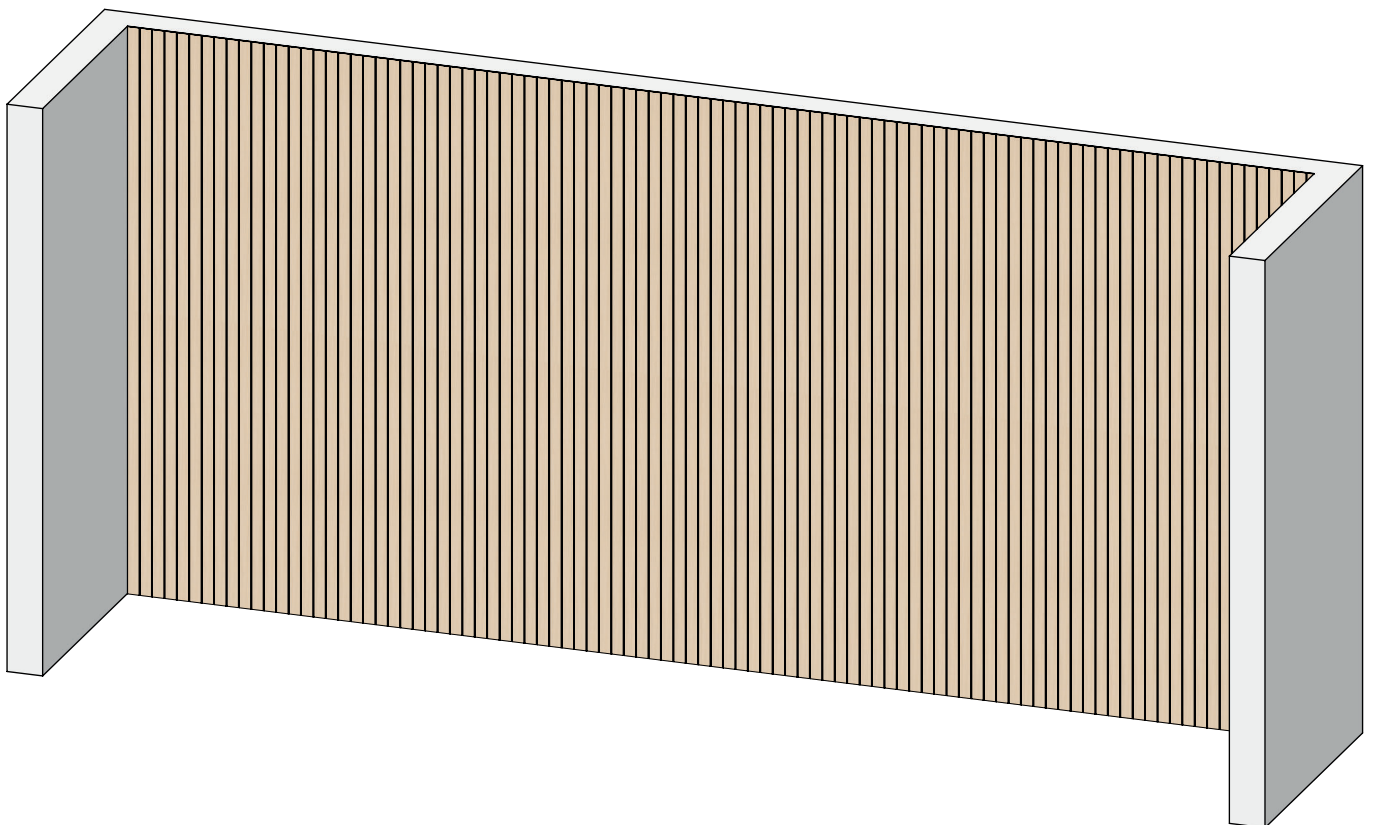
Installation of the finishing strip

Use ThinRibbon assembly glue to attach our finishing strips. Glue liberally on our finishing strip and wipe off excess. Once in place, tape it to our panels and let the glue set.



Installing outer corners

Use our finishing strip when installing an outer corner. Check that you cross over with our finishing strip enough to cover the panel on the other side, about 6mm. Glue with Thin Ribbon assembly glue on the finishing strip and press it in place. Then proceed to install the next panel. Next, tape it to our panels and let the glue set.



WALLRIBBON AB

Sture Steens Väg 9 | 341 55 Vittaryd | Sweden

Phone: +46 44 454 01

E-mail: info@wallribbon.com

Website: www.wallribbon.com