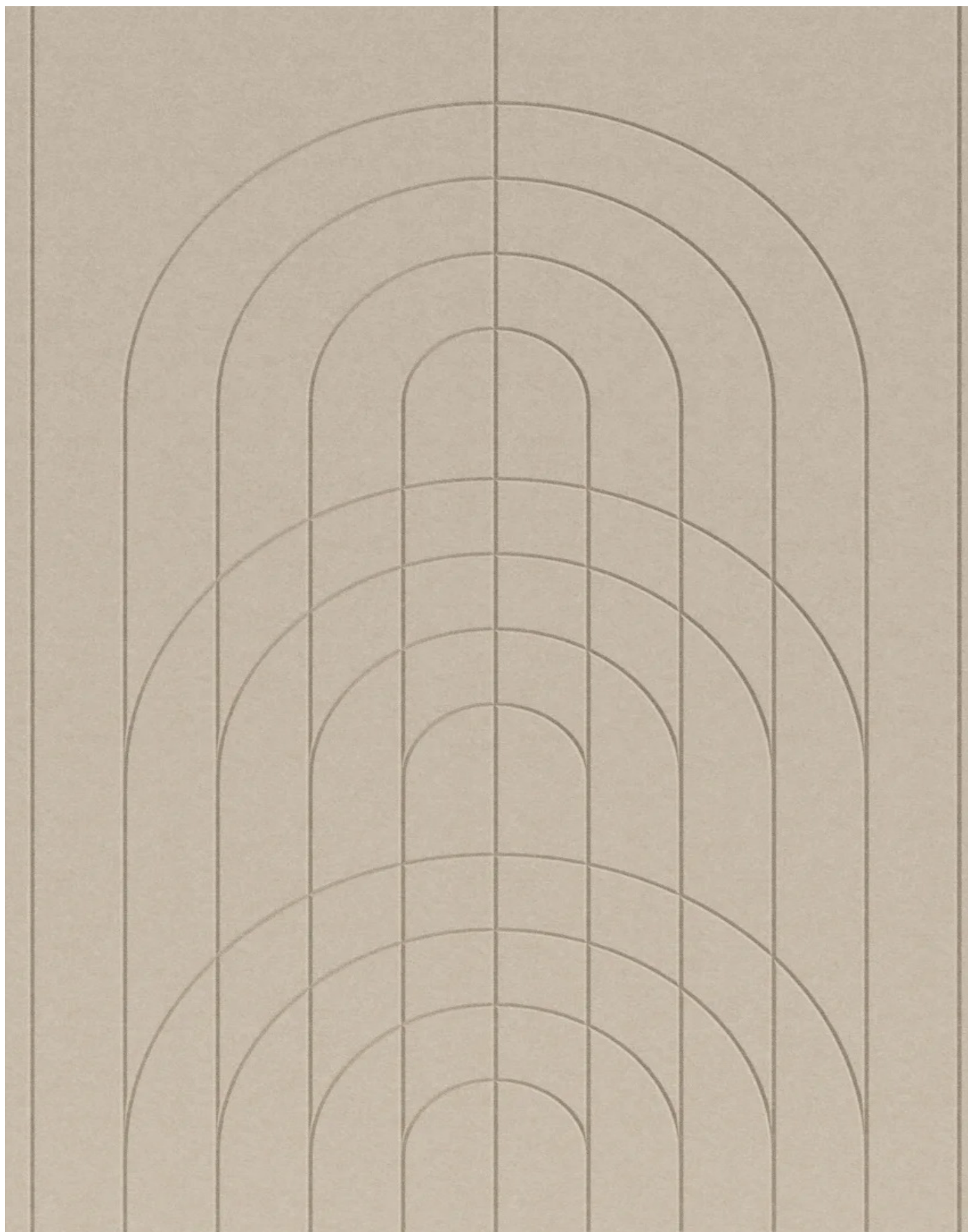


RECO SILENT ACOUSTIC WALL PANEL

INSTALLATION INSTRUCTIONS

2026 05 05

W Wallsystems
by Glimakra of Sweden



CONTENTS

Tools & Accessories _____ 3

Installation method using WallRibbon mounting adhesive _____ 4

RECOSILENT ACOUSTIC WALL PANEL

INSTALLATION INSTRUCTIONS

2026 05 05

 Wallsystems
by Glimakra of Sweden

TOOLS YOU'LL NEED



Spirit level



Assembly adhesive



Measuring tape



Carpet knife



Ruler

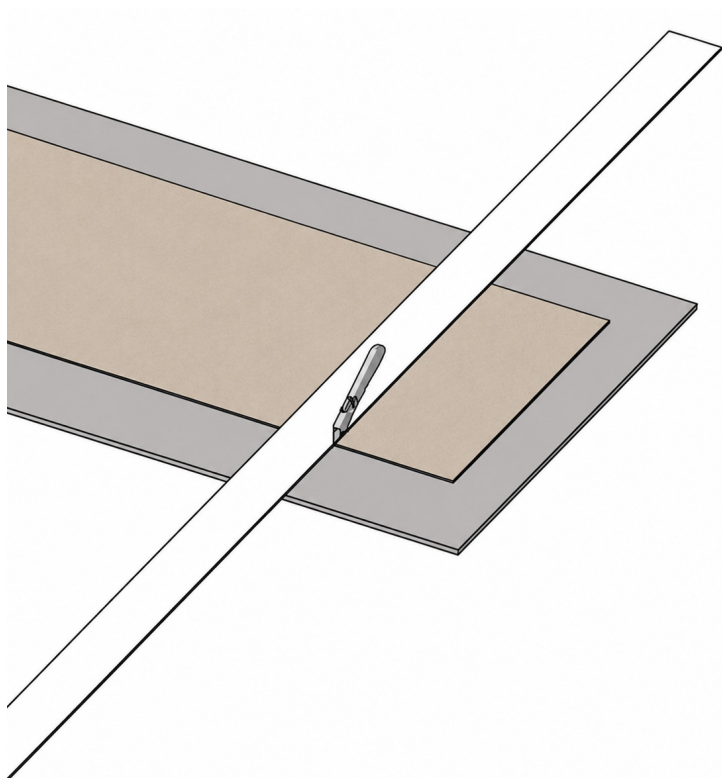
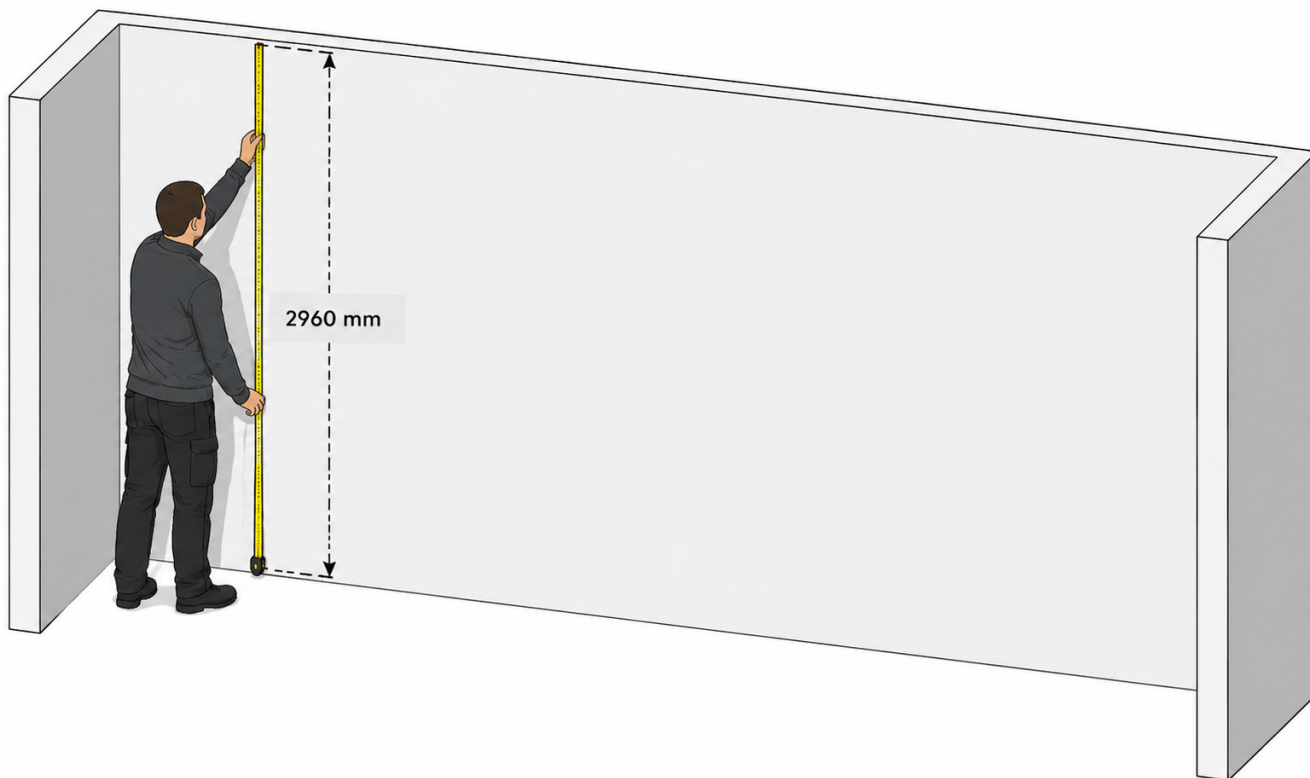
RECOSILENT ACOUSTIC WALL PANEL

INSTALLATION INSTRUCTIONS

2026 05 05

Wallsystems
by Glimakra of Sweden

MEASURE THE HEIGHT OF THE WALL



1

Use the measuring tool of your choice and check the height of the wall. Determine where to start installing the panels.

2

Cut the panel to the height you measured earlier. Use the ruler and make several cuts to ensure a straight cut.

RECOSILENT ACOUSTIC WALL PANEL

INSTALLATION INSTRUCTIONS

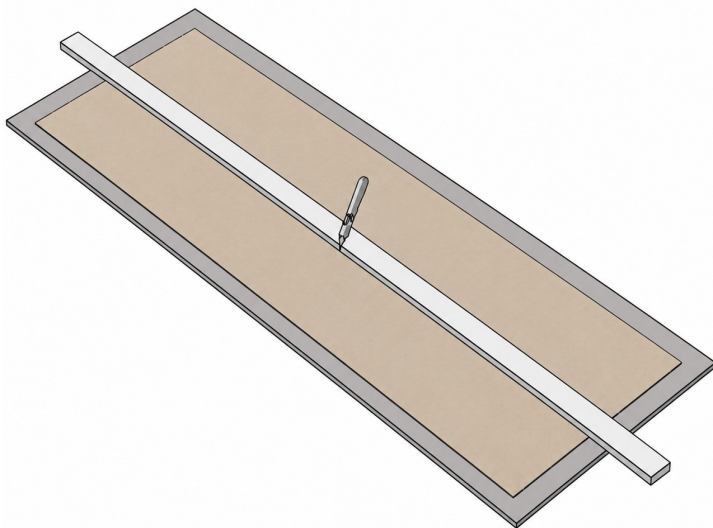
2026 05 05

W Wallsystems
by Glimakra of Sweden

CUT THE PANEL TO WIDTH

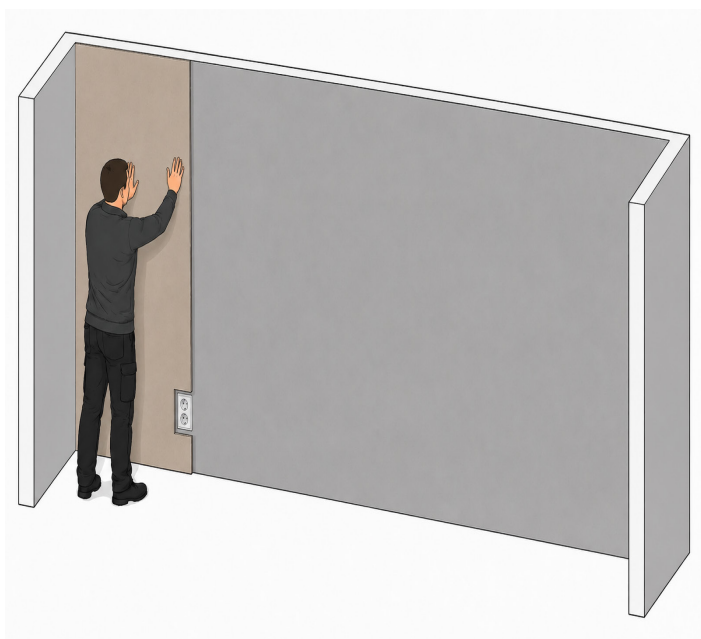
3

If you need to trim the panels widthwise, measure the distance between the wall and the edge of the panels that are already installed. Then use a ruler and make several cuts to ensure a straight cut.



4

Before applying the adhesive, it's important to make sure the panel fits; carefully position the panel so it doesn't bend. Once you're satisfied with the result, remove the panel with the back side (the side facing the wall) facing up.



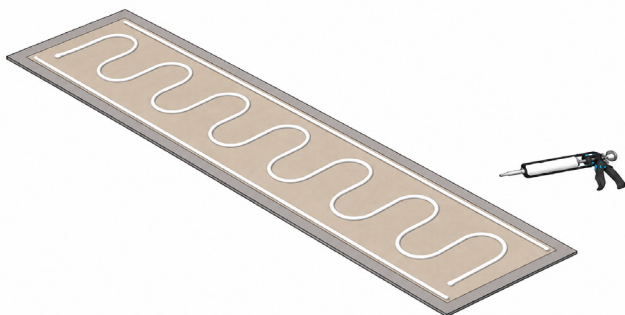
RECOSILENT ACOUSTIC WALL PANEL

INSTALLATION INSTRUCTIONS

2026 05 05

W Wallsystems
by Glimakra of Sweden

INSTALL WITH ADHESIVE



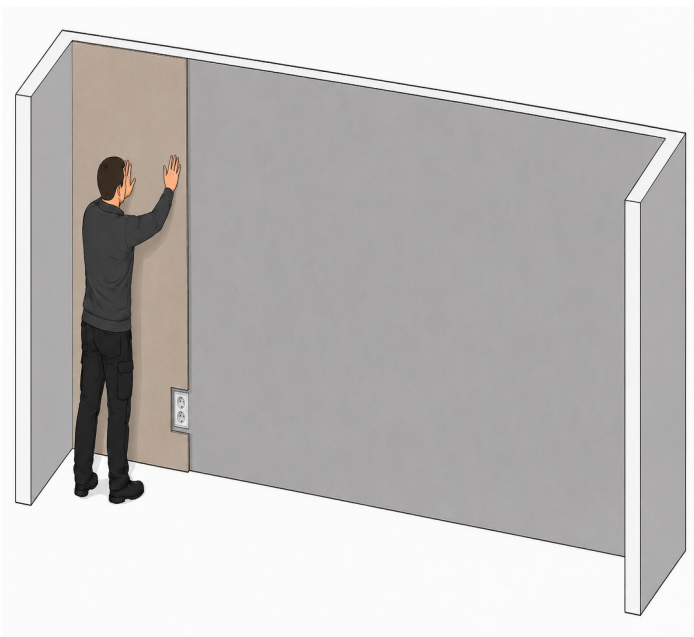
5

Glue the panels using our assembly adhesive, following the pattern shown in the image. One tube is enough for about 2 panels.

Use your hands to press the panel firmly against the wall; this ensures that the panel makes proper contact with the wall and allows the adhesive to spread evenly.

6

Vänd försiktigt upp panelen så att den står upp med limmet mot väggen. Placera sedan panelen där den ska monteras, försök att inte vika panelerna eller röra annat med limmet.

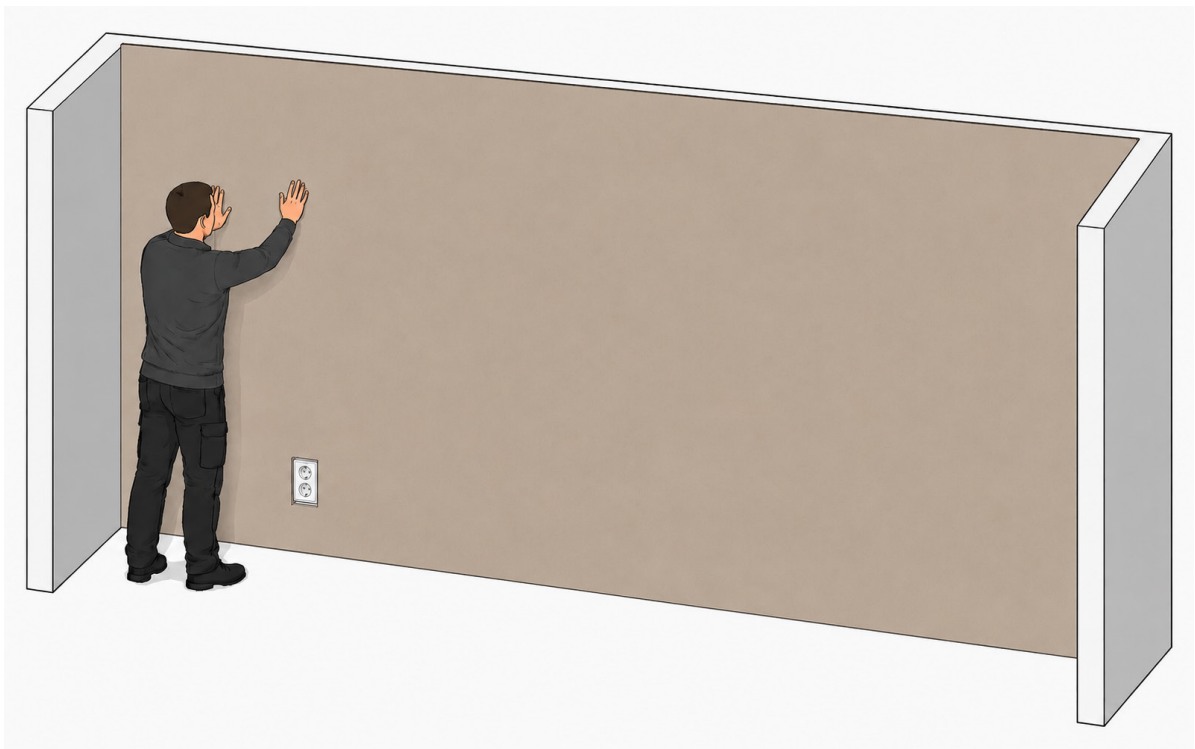


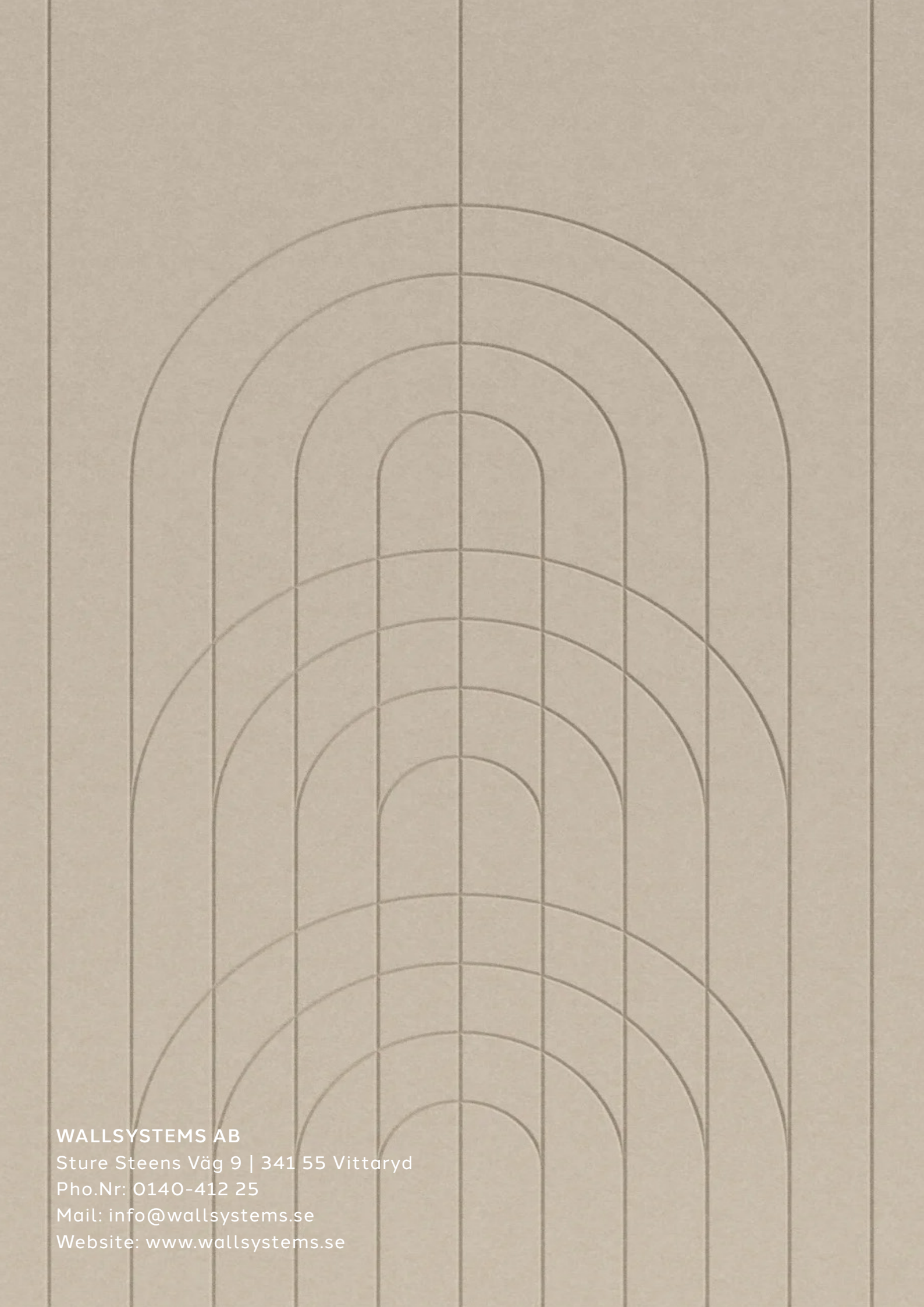
RECOSILENT ACOUSTIC WALL PANEL

INSTALLATION INSTRUCTIONS

2026 05 05

W Wallsystems
by Glimakra of Sweden





WALLSYSTEMS AB

Sture Steens Väg 9 | 341 55 Vittaryd

Pho.Nr: 0140-412 25

Mail: info@wallsystems.se

Website: www.wallsystems.se